

WALL MOUNTED SHOWER SYSTEMS

surfashower®



HANDICAPPED INSTALLATION

Thermostatic (7600 valve is ASSE 1016 Listed) 

SS-7600-100/3ISA-D2L/501P(G)-44

SS-7600-102-D2L/501P(G)-44

SS-7600-104-D2L/501P(G)-44

SS-7600-H-15-D2L/501P(G)-44

Thermostatic Surfashower®

SS-7600-100/3ISA/D2L/501P(G)-44



- Copper encapsulated thermostat assembly with brass shuttle, compensates for temperature fluctuations induced by water temperature and pressure changes
- Built-in shutoff for single handle operation
- Integral checkstops
- Cast wall flange and lever handle, polished chrome plated
- Maximum operating pressure: 125 PSI (860 KPA)
- Adjustable high temperature limit stop set for 110°F* (43°C)
- Color-coded dial
- ½" flexible stainless steel hose on inlets
- Capacity of 4 GPM (15 L/min)
- H-06 institutional shower head, 2.5 GPM (95 l/min.) max.
- Exposed parts chrome plated, vandal resistant
- Maximum supply pressure: 125 PSI (860 KPA)
- 18 Ga. Stainless steel cover
- Soap dish
- D-2L inline diverter valve with lever handle
- 501P(G) hand shower, 2.5 GPM (9.5 l/min) 69" (1753mm) hose, 24" (610mm) glide bar, double check valve assembly, supply elbow
- Sloping top cap with regular bottom cap
- Factory assembled and tested

__SS-7600-102-D2L/501P(G)-44

- H-10 adjustable spray ball joint shower head 2.5 GPM (9.5 l/min.)

__SS-7600-104-D2L/501P(G)-44

- H-03 adjustable spray ball joint shower head, 2.5 GPM (95 l/min.)
- Cast flanged shower head fitting.

__SS-7600-H-15-D2L/501P(G)-44

- H-15 adjustable spray ball joint massage shower head 1.5 GPM (5.7 l/min.) high-impact ABS body chrome plated

OPTIONS:

- __ SUFFIX VX - Integral stainless steel extension to ceiling, specify length__". See reverse side to calculate VX length
- __ SUFFIX 515P(G) - Hand spray, 69" braided stainless steel flex hose 24" glide rail, double check valve backflow preventer, supply elbow and flange operates at **1.50 GPM / 5.7 LPM**, below ASME, ANSI A112.18.1 standard at 2.5 GPM/ 19.46 LPM
- __ SUFFIX 515P(G)30- Same as above but with a 30" glide rail
- __ SUFFIX QD - Quick disconnect fitting
- __ SUFFIX 1.5 - 100/3ISA 1.5, H-06-1.5 1 ½ GPM



WARNING: This product can expose you to chemicals including lead, which is known to the State of California to cause cancer. For more information, go to www.P65Warnings.Ca.gov



* **Note: Compliance with ADA, Section 607.6, requires that shower spray units SHALL HAVE an on/off control with a non-positive shut-off**

SS-7600-100/3ISA-D2L/501P(G)-44

All Leonard Model 7600 Thermostatic Shower Valves have limitations. Please keep in mind that per the ASSE 1016-2011 Performance Standard, Harmonized along with ASME and CSA, it dictates inlet conditions of equal pressures, 45 PSI on both Hot and Cold Inlets, in addition to a Hot supply temperature range of 140 deg F- 180 deg F. Significant deviations from those conditions stated above will alter performance expectations.

Engineer's Approval	Job # _____
	Arch/Eng. _____
	Contractor _____



1360 Elmwood Avenue, Cranston, RI 02910 USA

Phone: 401.461.1200 Fax: 401.941.5310

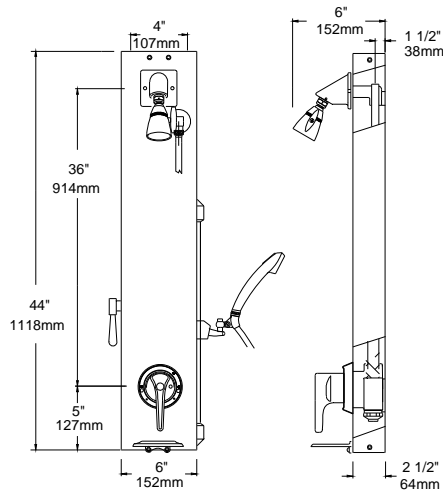
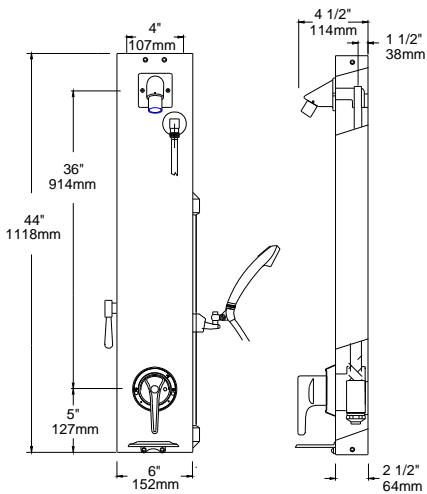
Email: info@leonardvalve.com

Web Site: <http://www.leonardvalve.com>

THERMOSTATIC MODELS

SS-7600-100/3ISA-D2L/501P(G)-44

SS-7600-104/-D2L/501P(G)-44



SUFFIX VX (For 3ISA units)

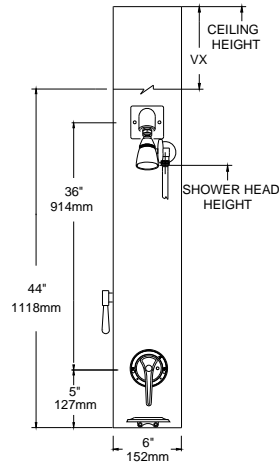
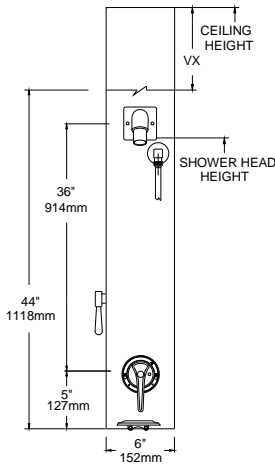


VX Length:
To Calculate:
VX Length = Ceiling height minus
Shower head height minus
5" (127mm)

SUFFIX VX (For 104, 102 & 204 & H-15units)



VX Length:
To Calculate:
VX Length = Ceiling height minus
Shower head height minus
7 1/2" (191mm)



Note: Leonard Valve Company reserves the right of product, or design modifications without notice or obligation.

***NOTE:** A limit stop, set for 110°F (43°C), is simply a mechanical setting to prevent excessive handle rotation. If incoming water is hotter than 135°F (57°C), the temperature of the factory test, the valve when turned to full HOT may deliver water in excess of 110°F and the limit stop **MUST BE RESET BY THE INSTALLER**

Engineer's Approval



1360 Elmwood Avenue, Cranston, RI 02910 USA
 Phone: 401.461.1200 Fax: 401.941.5310

Email: info@leonardvalve.com

WEB: <http://www.leonardvalve.com>